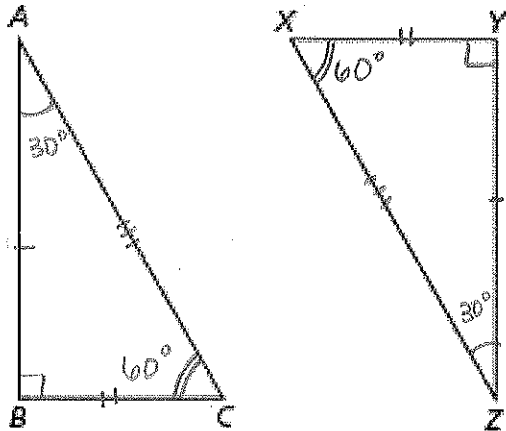
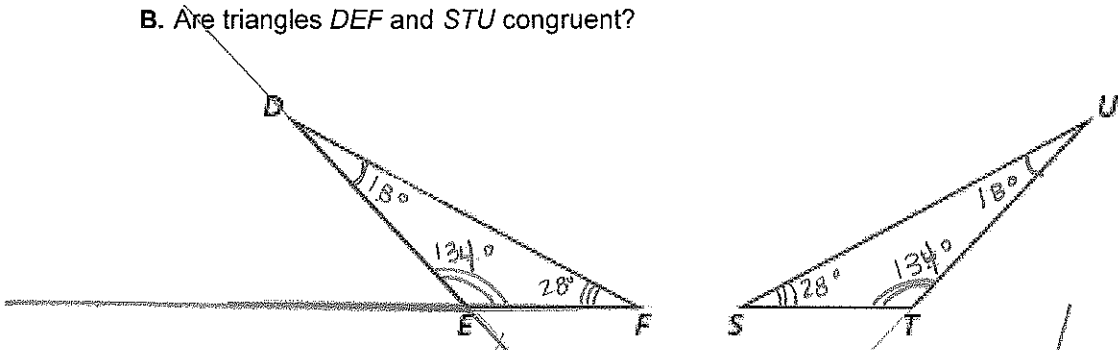


Labsheet 2.2 Questions A-F

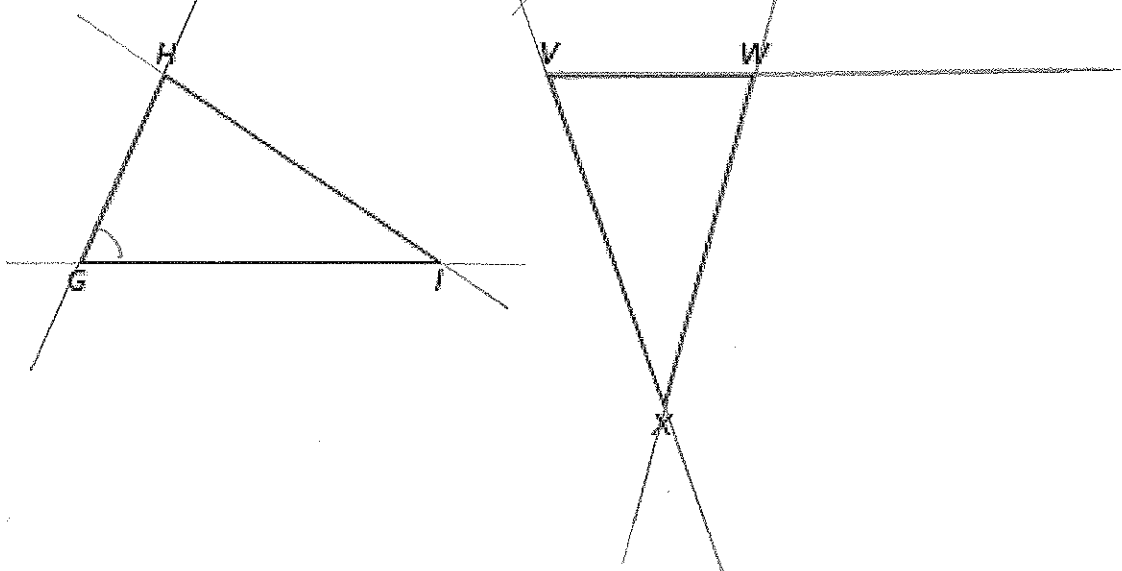
A. Are triangles *ABC* and *XYZ* congruent?



B. Are triangles *DEF* and *STU* congruent?

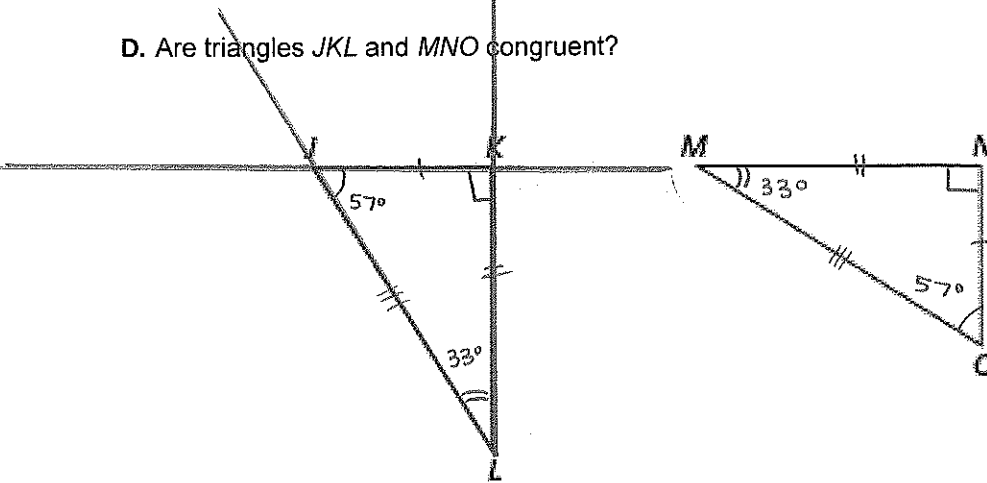


C. Are triangles *GHI* and *VWX* congruent?

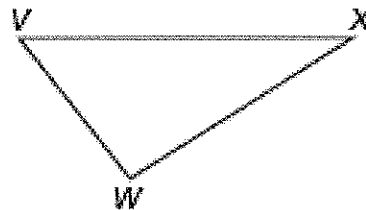
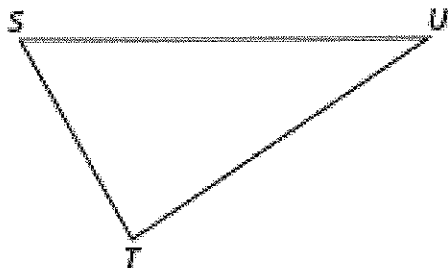


Labsheet 2.2 Questions A–F

D. Are triangles JKL and MNO congruent?



E. Are triangles STU and VWX congruent?



F. Are triangles ABC and PQR congruent?

